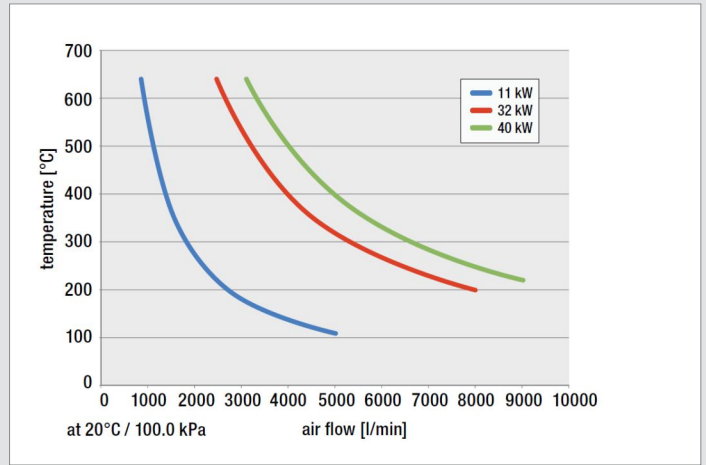




## LHS 91 Air Heater

The LHS 91 is backwards compatible with its predecessor, the LE TOOL 40,000. With up to 32kW of power, the LHS 91 is suited for the most demanding of heating applications requiring continuous operation with high airflow and high temperatures. It is even capable of replacing gas fired heaters in many applications.

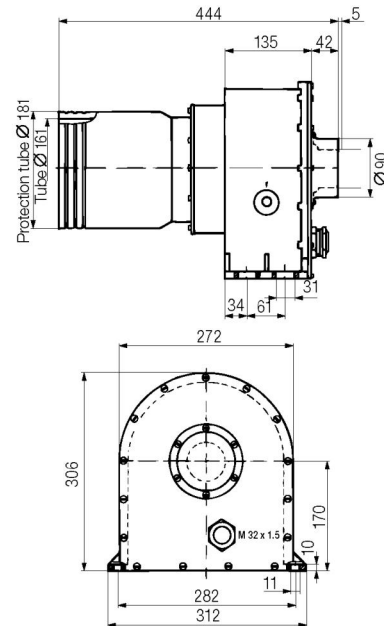
- Robust, industrial design
- Highly efficient use of heating power
- Suitable for continuous use
- Designed to be used with the our line of Leister blowers
- Precise delivery of hot air
- Big performance, small design
- LHS 91 BASIC:
  - Non-adjustable heating power
- LHS 91 SYSTEM:
  - Temperature steplessly adjustable with integrated potentiometer
  - Remote control interface for optional use of external temperature controllers
  - Protection against heating element and device overheating with alarm output



### Technical Data

Voltage	V	3 x 230	3 x 400		3 x 480	
Power consumption	kW	28	11	32	32	40
Min. air flow	l/min	2200	1100	3100	3100	3800
Max. outlet temp.	°C	650	650		650	
Max. inlet temp.	°C	50	50		50	
Noise level	dB	<70	<70		<70	
Weight	kg	13.5	13.5		13.5	
Approval markings		CE, QPS	CE, QPS		CE, QPS	
Electrical protection		Class I	Class I		Class I	

### Installation dimensions in mm



# LHS 91 Accessories



107.235: Wide slot nozzle 500 x 13 mm



107.234: Wide slot nozzle 1200 x 10 mm



105.856: Wide slot nozzle 1600 x 8 mm



105.859: Wide slot nozzle 2000 x 10 mm



107.230: Round nozzle Ø96 mm



107.233: Tubular nozzle Ø98 mm, 400 mm



125.319: Flange connector Ø161 mm to Ø192 mm