



Air Heater

## LE TOOL High-Temperature

The LE TOOL High-Temperature models are suitable for building into machinery, in heat tunnels and other applications where extreme heating power is required. This hot air tool is only supplied without electronics.

- Robust, industrial design
- Highly efficient use of heating power
- Suitable for continuous use
- Designed to be used with our complete line of Leister blowers
- Precise delivery of hot air
- High process reliability
- Precise temperature control is possible by using our temperature controllers
- Compatible with a wide range of nozzles and fittings

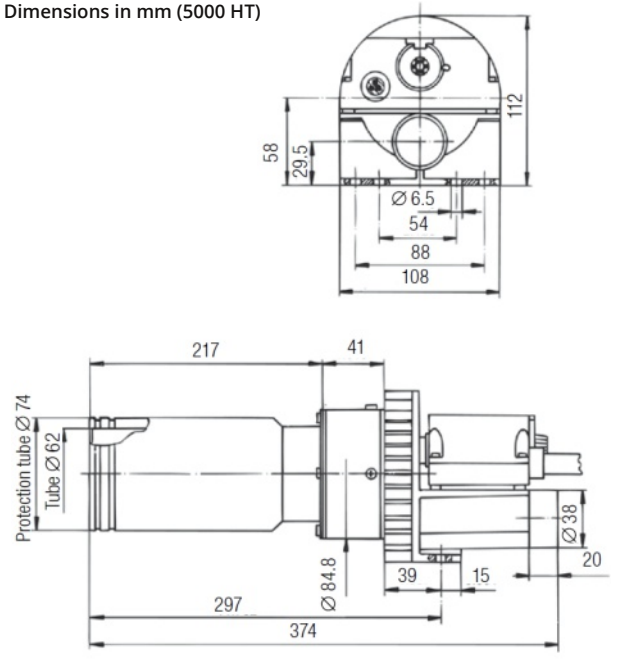
### Technical Data

Type		5000 HT	10000 HT
Voltage	V~	3 x 400	3 x 400, 3 x 480
Power Consumption	kW	11	15
Frequency	Hz	50 / 60	50 / 60
Max. air outlet temp.	°C	900	900
Max. air inlet temp.	°C	100	100
Min. air flow	l/min	635	830
Max. ambient temp.	°C	100	100
Dimensions	mm	374 x 108 x 112	402 x 135 x 144
Heater tube	mm	Ø 62	Ø 90
Weight	kg	2.25	4
Approval markings		CE QPS	CE QPS
Electrical protection		Class I ⊕	Class I ⊕

### Article No.:

108.717 LE TOOL 5000 HT - 3 x 400V / 11kW  
 110.568 LE TOOL 10000 HT - 3 x 400V / 15kW  
 113.349 LE TOOL 10000 HT - 3 x 480V / 15kW

Dimensions in mm (5000 HT)



Dimensions in mm (10000 HT)

